

NEX-FS100U  
NEX-FS100UK  
NXCAM® Super 35mm Sensor Camcorder

**SONY**  
make.believe



A New World of High Quality Video Production Convenience with  
the NXCAM Super 35mm Motion Picture Camcorder

NXCAM

AVCHD

MPEG2 SD

Exmor™  
Super35 CMOS

MEMORY STICK™

SD™  
XC

GPS



# INTRODUCTION

## NXCAM Super 35mm Motion Picture Camcorder Providing Creative Expression in High Quality Video Production

Sony's range of NXCAM® models now includes the NEX-FS100U interchangeable lens camcorder featuring a Super 35mm sensor. Developed specifically for shooting motion pictures, this high sensitivity, large format sensor is capable of producing footage with shallow depth of field similar to that of a film camera for a new level of expression.

For even more creative flexibility, the NEX-FS100U also enables extended continuous recording and simultaneous recording of HD video footage for instant backup with an HXR-FMU128 Flash Memory Unit. These and other valuable features make this compact, high performance camera ideal for producing everything from low budget commercials, music videos and documentaries to wedding videos.



# SENSOR

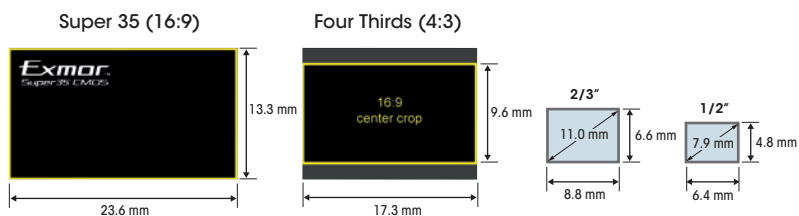
## "Exmor" Super35 CMOS Sensor for Shooting Motion Pictures

Equipped with a large CMOS sensor equivalent in size to Super 35mm film, like that used in the PMW-F3, the NEX-FS100U enables shooting with similar creative depth of field as film cameras.

The sensor also features an optimum number of effective pixels for shooting HD moving images. At a high 60fps in all-pixel scan mode, this allows images to be captured with less color aliasing, jaggedness and rolling shutter than DSLR cameras, while providing the sensitivity to shoot at a minimum illumination of 0.28lux\*<sup>1</sup>. Another advantage of Exmor<sup>®</sup> technology is minimal noise when shooting low-light scenes.

\* 1 When using a fixed shutter speed of 1/30, auto gain and an iris setting of F1.4

The SEL18200 lens supplied with the NEX-FS100UK enables shooting in illumination as low as 1.5lux when using a fixed shutter speed of 1/30, auto gain and auto iris



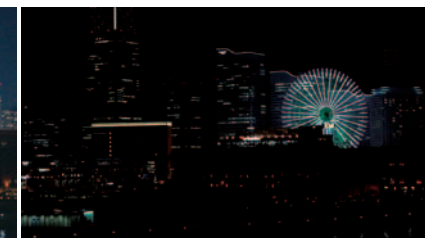
### "Exmor" Super35 CMOS Sensor

Gross pixels	Approx. 3,530,000 pixels
Effective pixels of moving pictures in 16:9	Approx. 3,370,000 pixels
Effective pixels of moving pictures in 4:3	Approx. 2,530,000 pixels

### Sensitivity



NEX-FS100U



Full Frame DSLR Camera

### Depth of Field



NEX-FS100U



Four Thirds Camcorder

Simulated images

# INTERCHANGEABLE LENSES

## E-Mount Interchangeable Lens System

The NEX-FS100U features the E-mount Interchangeable lens system. Sony's E-mount interchangeable lenses let you enjoy a level of creative freedom unimaginable with camcorders of the past. All feature precision-crafted optics with aspherical glass elements for compact high performance, and circular iris mechanisms for smooth background defocusing. The NEX-FS100UK comes with the SEL18200(E 18–200mm F3.5–6.3 OSS) lens which boasts 11x zoom power, a quiet AF motor for cleaner sound recording, and Optical Steady Shot® image stabilization with an advanced Active mode that lets you take steady handheld shots while walking around — even without a bulky stabilization rig. An ultracompact SEL16F28 wide-angle lens and SEL1855 3x zoom lens are also available. Thanks to the E-mount's short 18mm flange-back distance, using a mount adaptor allows shooting with a wide range of existing lenses. For example, with the optional LA-EA1 mount adaptor you can take advantage of the abundant A-mount lenses. In addition to Sony, there are four major lens manufacturers that will be producing compatible native E-mount lenses (available Summer 2011).



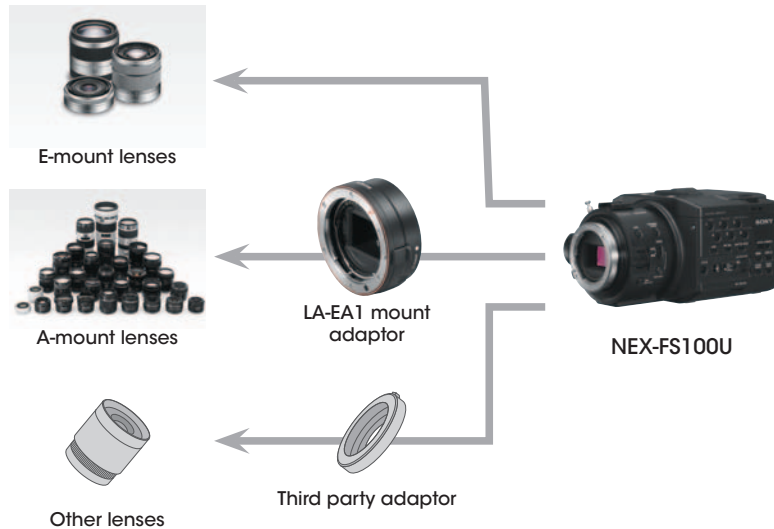
E-mount lens on the NEX-FS100U



A-mount lens with the LA-EA1 adaptor



Cine-style lens with a third party adaptor



# MODULAR DESIGN

New Design Concept Providing the Flexibility for a Variety of Shooting Styles

Featuring a compact, lightweight body with detachable grip, top handle, and viewfinder, the NEX-FS100U is ideal for a wide range of shooting situations.



During hand-held shooting, the angle of the grip can be changed as desired, and start and stop recording with a button on the grip. Secondary record buttons are also available at two locations, at the top and in front of the camera body.

There are 1/4-inch and 3/8-inch screw holes on both the handle and the bottom of the camera body for mounting various peripheral devices, plus three 1/4-inch holes on the top of the camera body. In addition, there is a tape measure hook and a focal plane marker for indicating the image sensor position.



Located on the optical axis, the 3.5-inch-type XtraFine™ LCD panel enables easier and more intuitive framing, especially during hand-held shooting. And the LCD panel can be rotated for stress-free operation when shooting low-angle scenes and digital signage footage. For easier and more precise focusing in daylight, the viewfinder comes with a detachable 1.2x magnifier.

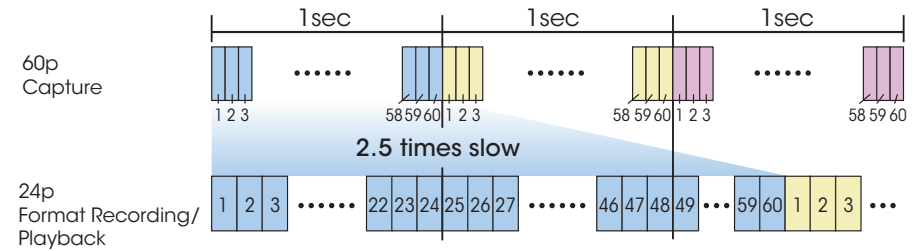
# CREATION

## 1920x1080P Slow and Quick Motion

Recording images at a different frame rate from that used for playback provides the extra versatility of slow and quick motion shooting. Furthermore, the NEX-FS100U enables Full HD (1920x1080) progressive slow and quick motion. Frame rates are selectable from 60fps, 30fps, 15fps, 8fps, 4fps, 2fps and 1fps. So, for example, when recording at 1080/24p, if the frame rate is set to 60fps, images are recorded in 2.5 times slow motion. This means you can create impressive slow motion scenes without the need for troublesome editing.

Note: Slow and quick motion shooting is only available in HD progressive mode. Simultaneous slow and quick motion recording to a memory card and flash memory unit (optional HXR-FMU128) is not available.

### Slow Motion Mechanism





# SAFETY & LONG RECORDING

## Hybrid Recording



Recording to the directly mountable optional HXR-FMU128 Flash Memory unit allows continuous recording for over 10 hours without changing the recording medium. Simultaneous recording using memory card and HXR-FMU128 is also possible for secure backup when shooting footage that can't be reshot.

Note: HD and SD footage cannot be recorded separately on different recording media.



### Compatible Memory Cards Type

\* For more information please refer to the specification sheet on the back of this brochure.



### Approximate Recording Times\*

#### HD MOVIE

		AVC HD 28M (PS)	AVC HD 24M (FX)	AVC HD 17M (FH)	AVC HD 9M (HQ)	AVC HD 5M (LP)
Linear PCM 2ch	1GB Memory Card	4 min	4 min	6 min	10 min	15 min
	2GB Memory Card	8 min	10 min	10 min	20 min	35 min
	4GB Memory Card	15 min	20 min	25 min	45 min	70 min
	8GB Memory Card	35 min	40 min	55 min	90 min	145 min
	16GB Memory Card	70 min	80 min	110 min	185 min	295 min
	32GB Memory Card	145 min	170 min	225 min	375 min	590 min
	HXR-FMU128 (128GB) [Optional]	600 min	700 min	940 min	1560 min	2460 min
Dolby Digital 2ch	1GB Memory Card	4 min	5 min	7 min	10 min	20 min
	2GB Memory Card	9 min	10 min	10 min	25 min	45 min
	4GB Memory Card	15 min	20 min	30 min	50 min	90 min
	8GB Memory Card	35 min	40 min	60 min	105 min	190 min
	16GB Memory Card	75 min	90 min	120 min	215 min	380 min
	32GB Memory Card	150 min	180 min	245 min	440 min	770 min
	HXR-FMU128 (128GB) [Optional]	640 min	750 min	1030 min	1830 min	3200 min

#### SD MOVIE

	SD 9M (HQ)	
Dolby Digital 2ch	1GB Memory Card	10 min
	2GB Memory Card	25 min
	4GB Memory Card	55 min
	8GB Memory Card	110 min
	16GB Memory Card	225 min
	32GB Memory Card	460 min
	HXR-FMU128 (128GB) [Optional]	1910 min

\* Recording time varies based on recording conditions.

# WORKFLOW

## NXCAM® Recording Format

Like other NXCAM® series cameras, the new NEX-FS100U uses the highly efficient AVCHD recording format to capture with excellent image fidelity. Better still, it's ready to shoot with an incredible maximum frame rate of 1920x1080/60p (28Mbps). Standard Definition with DVD format (MPEG-2 PS) recording is also possible.

### HDMI 1.4 Output with Embedded Time code for 4:2:2 or RGB 4:4:4 Uncompressed Signal Output

When shooting, the NEX-FS100U provides HDMI 4:2:2 or RGB 4:4:4 uncompressed output with an embedded SMPTE Time code and embedded 2-3 pull-down markers for recording on external disc recorders.

Note: Embedding 2-3 pull-down markers enables material originally recorded at 24p and converted to 60i to be recognized once more as 24p in the HDMI output signal.

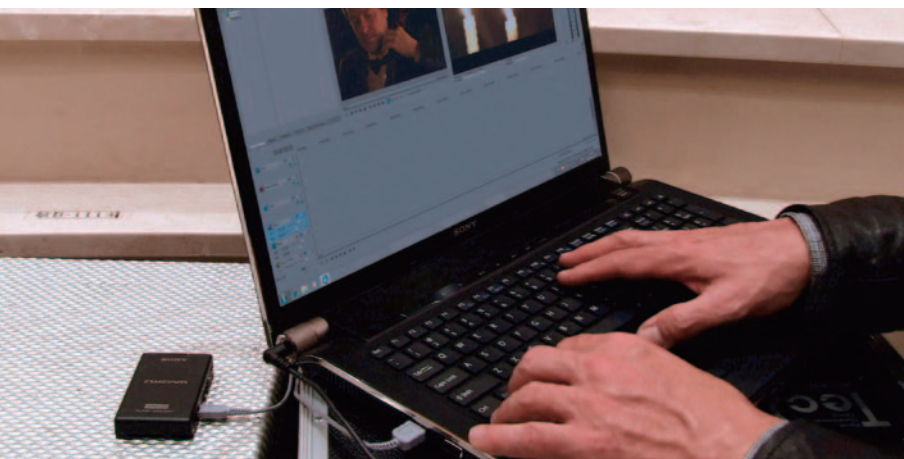
## RECORDING FORMAT

- Formats: HD: AVCHD/SD: MPEG2 PS (NTSC DVD Format)
- Frame rate: 1920x1080/59.94p, 59.94i, 29.97p, 23.98p  
1280x720/59.94p, 720x480/59.94i
- Audio: LPCM/AC3 (2ch) (AC3 only for MPEG2-SD)

	AVCHD					MPEG2-SD
	PS (28Mbps)	FX (24Mbps)	FH (17Mbps)	HQ (9Mbps)	LP (5Mbps)	HQ (9Mbps)
1920x1080/59.94p	○					
1920x1080/59.94i		○	○			
1920x1080/29.97p		○	○			
1920x1080/23.98p		○	○			
1440x1080/59.94i				○	○	
1280x720/59.94p		○	○			
720x480/59.94i						○

## RECORDING/PLAYBACK

HD/SD	[HDMI/ COMPONENT] setting	Output resolution		
		HDMI OUT	COMPONENT OUT	VIDEO OUT
HD	1080p/480i	1080p	1080p	480i
	720p/480i	720p	720p	480i
	1080i/480i	1080i	1080i	480i
	480p	480p	480p	480i
	480i	480i	480i	480i
SD	1080p/480i	480i	480i	480i
	720p/480i	480i	480i	480i
	1080i/480i	480i	480i	480i
	480p	480p	480p	480i
	480i	480i	480i	480i



# FUNCTION

## Other Convenient Features

### Location Simplification with GPS Technology

A built-in GPS function automatically records location information at the time of a shoot to AVCHD™ files. The supplied Content Management Utility (CMU) Version 2.0 software can also be used together with map service\*. This enables easy confirmation of exactly where footage was shot, which is particularly useful for location shooting and when shooting overseas.

### Picture Profile™

Six picture profile settings for different shooting conditions are provided as default settings. Selecting a picture profile for a particular scene offers an easy way to change image quality.

### Last Scene Review

Enables fast, one-touch confirmation of the last recorded scene without operating multiple buttons.

\*Map service requires PC with internet. Service provided by Google and subject to change without notice.



### Expanded Focus

Press a button and this enlarges the center of the displayed image by 2x, a particularly useful feature when making critical focusing adjustments.

### Histogram

Onscreen display of a histogram enables easier exposure adjustment. The histogram also shows the point where the zebra pattern appears (the zebra point). This enables confirmation of overall brightness distribution and the brightness level set with the zebra function. As well as preventing overexposure, this is useful as a guide when aiming for optimum exposure of certain parts of an image, such as faces.

### Peaking

A peaking function draws a defined line around the subject displayed in the LCD monitor and viewfinder. Peaking sensitivity and color (red, white, yellow) can be selected to enable more precise focusing.

### Markers

Center, aspect, safety zone, guide frame and other markers can be displayed on the LCD.

### Firmware Update

Sony has implemented a firmware update scheme for future functions.

# Sony Opens Up New Era of Super 35mm Digital Production





# Optional Accessories



**2NP-F970/B**  
Rechargeable Battery Pack



**AC-VQL1BP**  
AC Adaptor / Charger



**VCT-SP1BP**  
Camcorder Support



**VCT-SP2BP**  
Camcorder Support



**LC-EX3TH**  
Transit Case



**HXR-FMU128**  
Flash Memory Unit



**UWP-V1, UWP-V2, UWP-V6**  
UWP-V Series  
Wireless Microphone Systems



**HVL-LBPB**  
Battery Video Light



**LPM-770BP**  
Portable Monitor



**ACC-V1BP**  
Accessory Kit  
(Include NP-FV100 and AC-VQV10)



**RM1000BP**  
LANC Remote Commander



**RM-1BP**  
Remote Commander



**MS-HX32A** (32 GB, 16 GB, 8 GB)  
Memory Stick PRO-HG Duo™ media  
**MS-MT32G** (32 GB, 16 GB, 8 GB, 4 GB, 2 GB)  
Memory Stick PRO Duo™ media



**SF-32N4** (32 GB, 16 GB, 8 GB, 4 GB, 2 GB)  
**SF-32NX** (32 GB, 16 GB, 8 GB)  
SD / SDHC Memory Card

# Specifications

General			
Weight	Body only	Approx. 2 lb 4oz (1.04 kg)	
	w/optional lens w/VF, w/ Battery (NP-F970), w/large eyecup, w/handle, w/MIC (ECM-XM1), w/grip, w/o gripbelt	Approx. 6 lb 1oz (2.76 kg)	
Dimension (W x H x D)	Body only	Approx. 5 x 4 x 7 5/8 inch (126.5 x 101.5 x 193.5 mm)	
	w/optional lens, w/VF, w/large eyecup, w/handle, w/MIC (ECM-XM1), w/grip, w/o gripbelt	Approx. 7 1/8 x 7 5/8 x 20 1/2 inch (178 x 192 x 519.5mm)	
Power requirements	Power Requirements (AC adaptor / Battery)	8.4V / 7.2V	
Power consumption	w/ ECM-XM1 and LCD with normal brightness	5.6W (w/ supplied lens) *When Flash Memory Unit HXR-FMU128 is used, the average power consumption increases about 1.1W	
Operating temperature		+32 to +104 deg F (0 to +40 deg C)	
Storage temperature		-4 to +140 deg F (-20 to +60 deg C)	
Continuous Recording Time	Continuous Recording Time	Approx. 510 min (NP-F970 fully charged batt.)	
Recording format	Video Format	HD	MPEG-4 AVC/H.264 AVCHD format compatible (1080/60p original format)
		STD	MPEG-2 PS
	Audio Format	HD	Linear PCM 2ch, 16bit, 48kHz / Dolby Digital 2ch, 16bit, 48kHz
		STD	Dolby Digital 2ch, 16bit, 48kHz
Recording frame rate*		HD PS (28Mbps) 1920x1080/60p, HD FX (24Mbps) 1920x1080/60i, HD FH (17Mbps) 1920x1080/60i, HD HQ (9Mbps) 1440x1080/60i, HD LP (5Mbps) 1440x1080/60i, HD FX (24Mbps) 1920x1080/24p, HD FH (17Mbps) 1920x1080/24p, HD FX (24Mbps) 1920x1080/30p, HD FH (17Mbps) 1920x1080/30p, HD FX (24Mbps) 1280x720/60p, HD FH (17Mbps) 1280x720/60p, SD/STD HQ (9Mbps) 720x480/60i, SD/STD HQ (9Mbps) 720x480/60i (24p Scan), SD/STD HQ (9Mbps) 720x480/60i (30p Scan)	
Recording/Playback time		170 min (2h 50m) with 32GB Memory Stick PRO-HG Duo HX at FX(24Mbps) Linear PCM 2ch recording	
Lens (supplied with NEX-FS100UK)			
Lens Mount		E-mount	
Model Name		SEL18200	
Product Name		E 18-200mm F3.5-6.3 OSS	
Equivalent 35mm-format focal length	16:9	28.8 - 320mm	
	4:3	36- 400mm	
Zoom ratio		11.1x	
Filter Diameter		67mm	
Camera Section			
Imaging device		*Exmor™ Super35 CMOS Sensor	
Gross pixels		Approx. 3,530,000 pixels	
	Effective pixels of moving pictures in 16:9	Approx. 3,370,000 pixels	
	Effective pixels of moving pictures in 4:3	Approx. 2,530,000 pixels	
Minimum illumination		0.28 lx (1/30 shutter, IRIS F1.4, Auto GAIN) **	
Shutter speed	Auto	60i/60p: 1/60-1/2000, 30p: 1/30-1/2000, 24p: 1/48-1/2400	
	Manual	60i/30p/60p: 1/3 - 1/10000, 24p: 1/3 - 1/10000	
Slow & Quick Motion function	Rec Format	1080/60p, 1080/30p, 1080/24p	
	Frame Rate	60fps, 30fps, 15fps, 8fps, 4fps, 2fps, 1fps	
	Shutter Speed	1/scan frame rate - 1/10000(Manual)	
White balance		Auto, Outdoor (5800K), indoor (3200K), One-push (Touch panel)	
Inputs/Outputs			
Audio input		XLR 3-pin (female) (x 2), LINE/MIC/MIC +48 V selectable	
Composite output		RCA Type (x 1)	
Audio output		RCA type (CH-1, CH-2)	
Component Video Output		RCA Type (x 3) via Mini-D jack	
USB		USB device, mini-AB/Hi-Speed (x 1)	
Headphone output		Stereo mini jack (x 1) ø3.5mm	
Remote		Stereo mini-mini-jack (ø2.5mm)	
HDMI output		HDMI connector (x 1)	
Built-in LCD monitor		3.5 inch-type, XtraFine LCD, approx. 921,600 dots(1920 x 480), 16:9 aspect ratio	
Recording Media			
Type		Memory Stick PRO Duo(Mark2), Memory Stick PRO-HG Duo, Memory Stick PRO-HG Duo HX, SD/SDHC/SDXC Memory Card ***	
Supplied Accessories			
		AC-VL1 AC Adaptor/Charger, Power cord (mains lead), NP-F770 InfoLITHIUM Rechargeable Battery Pack, RMT-845 Wireless Remote Commander, CR2025 Lithium Battery (Installed), Component video cable, A/V connecting cable, USB cable, VMC-UAM1 USB Adaptor Cable, Large LCD viewfinder, Large eyecup, ECM-XM1 Microphone, Wind Screen, Handle, Grip, Flash memory unit jack cover, Body cap (attached to the camcorder), Accessory shoe plate, DK-415 Connecting cord, CMU2.0 Application Software (CD-ROM), Manuals for Interchangeable Lens Digital HD Video Camera Recorder (CD-ROM), Operating Guide, SEL18200 Zoom lens (supplied with NEX-FS100UK), Lens hood (supplied with NEX-FS100UK), Front lens cap/rear lens cap (attached to the lens)(supplied with NEX-FS100UK)	

\* Due to variable bitrate, 28Mbps is the maximum bitrate for HD PS mode, and 24Mbps for HD FX mode. The average bitrate is stated for FH, HQ and LP modes.

\*\* 1.5 lx (w/ supplied lens: auto gain, auto iris, 1/30 shutter speed)

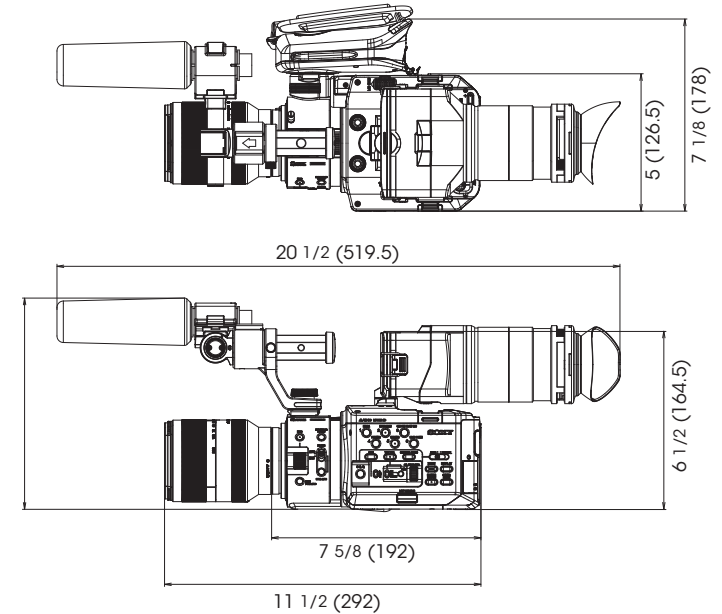
\*\*\* Class 4 or higher



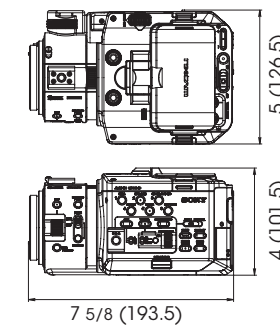
# Dimensions

Unit: inches (mm)

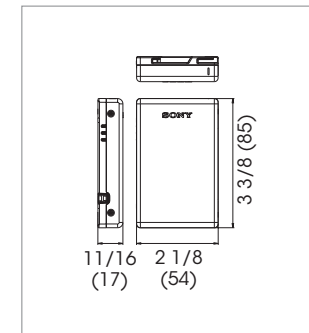
## NEX-FS100U



## Body only



## HXR-FMU128



**SONY**  
make.believe

Sony Electronics Inc.  
1 Sony Drive  
Park Ridge, NJ 07656  
[sony.com/nxcam](http://sony.com/nxcam)

V-2497 (MK10846V1)

© 2011 Sony Corporation. All rights reserved.  
Reproduction in whole or in part without written permissions is prohibited.  
Features and specifications are subject to change without notice.  
Sony, the Sony make.believe logo, α, Exmor, NXCAM, Memory Stick, the Memory Stick logo, Memory Stick PRO Duo, Memory Stick PRO-HG Duo, Optical Steady Shot, and Picture Profile are trademarks of Sony Corporation.  
AVCHD and AVCHD logo are trademarks of Panasonic Corporation and Sony Corporation.  
Windows is a registered trademark of Microsoft Corporation in the United States and other countries.  
Macintosh and Final Cut Pro are trademarks of Apple Inc.  
Dolby is a trademark of Dolby Laboratories.  
SD, SDHC and SDXC logs are trademarks of SD-3C, LLC.  
All other trademarks are the property of their respective owners.